



PLASPEN

UPVC WINDOW & DOOR SYSTEMS

TECHNICAL CATALOG

□ PP 240

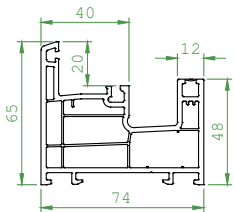
GENERAL INFORMATION

TECHNICAL SPECIFICATIONS OF PROFILES

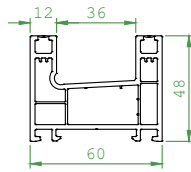
REINFORCEMENT PROFILES

ASSEMBLY OF PROFILES

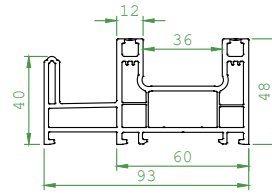
ACCESSORIES



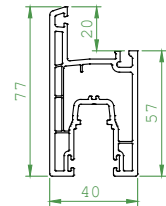
Frame Profile (Single Rail)
Code: 41340-02000



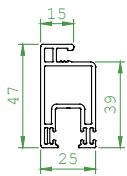
Frame Profile (Double Rail)
Code: 41340-01000



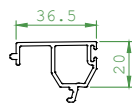
Sliding Fly Screen Frame Profile
Code: 41340-01100



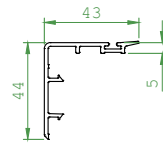
Sliding Sash Profile
Code: 41340-05000



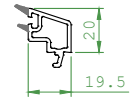
Sliding Fly Screen Sash Profile
Code: 41340-05100



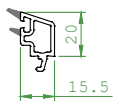
Frame Cover Profile (Single Rail)
Code: 41340-06000



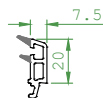
Sash Cover Profile
Code: 41340-03000



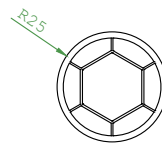
Single Glazed Bead Profile (6 mm)
Code:40403-96200



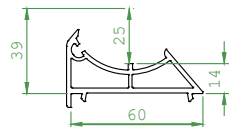
Single Glazed Bead Profile (10mm)
Code:40403-96500



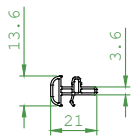
Double Glazed Bead Profile (18mm)
Code:40403-96300



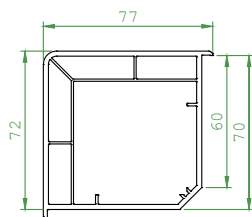
Pipe Angular Profile
Code: 40105-05000



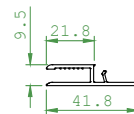
Angled Pipe Adaptor Profile
Code:40105-04000



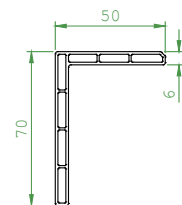
Coupling Profile
Code: 40106-01000



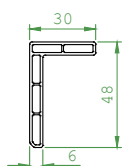
Corner Profile
Code: 40106-02000



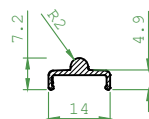
Holder Profile
Code: 40106-04000



Sill (border) Profile 50x70 mm
Code: 40108-02000

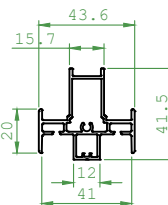


Sill (border) Profile 30x48 mm
Code: 40108-01000

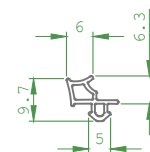


Scale= 2:1

Aluminum Rail Profile
Code: 34025-11030



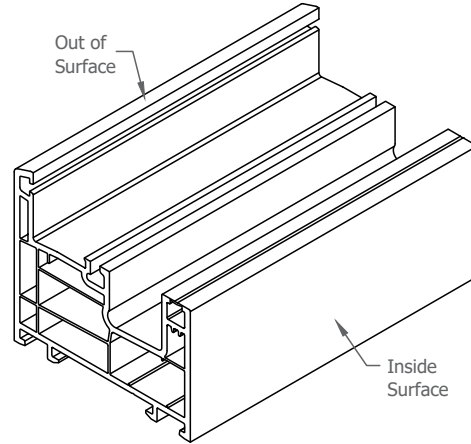
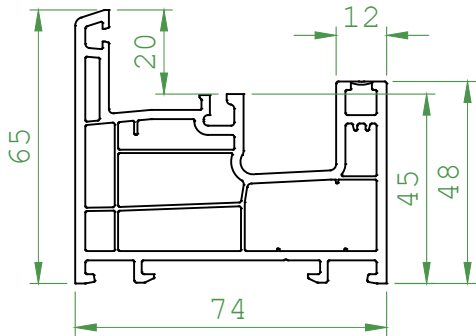
Aluminum Adaptor Profile
Code: 34025-12030 (White)



Rubber seals (Universal) :
Code: 34024-11010

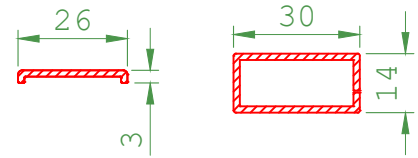


Sliding Frame Profile (Single Rail)

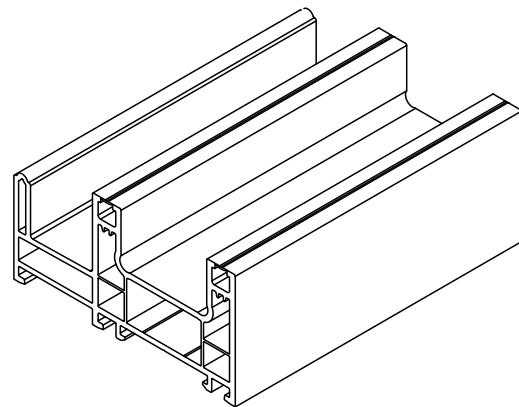
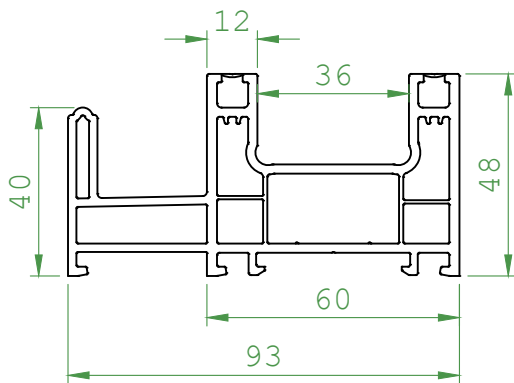


Profile Code	White / Without Rubber	○ 41340- 02000	Inside Lmainate	Outside Lmainate
	White / With Rubber	● *****	*****	*****
	Brown Laminate / Golden Oak	● *****	*****	*****
	Brown Laminate / Dark Oak	● *****	*****	*****
	Brown Laminate / Charcoal Brown	● *****	*****	*****
	Gray Laminate / Wintech Gray	● *****	*****	*****

○ Without Rubber ● With Rubber

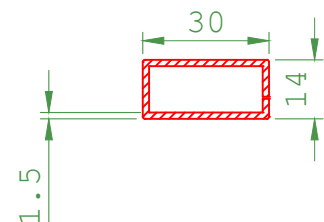


Sliding Fly Screen Frame Profile (Double Rail)



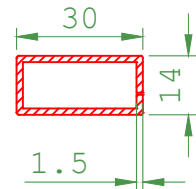
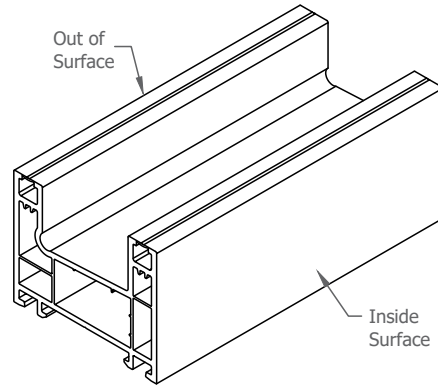
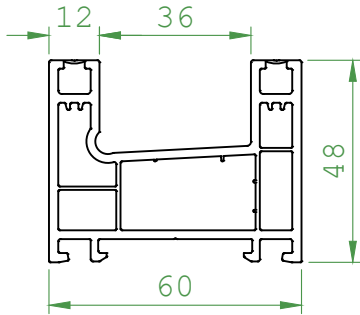
Profile Code	White / Without Rubber	○ 41340- 01100	Inside Lmainate	Outside Lmainate
	White / With Rubber	● *****	*****	*****
	Brown Laminate / Golden Oak	● *****	*****	*****
	Brown Laminate / Dark Oak	● *****	*****	*****
	Brown Laminate / Charcoal Brown	● *****	*****	*****
	Gray Laminate / Wintech Gray	● *****	*****	*****

○ Without Rubber ● With Rubber





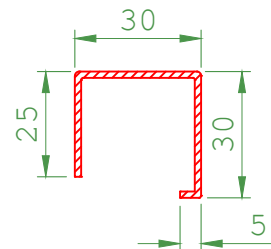
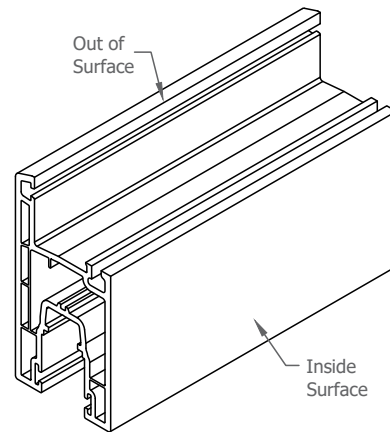
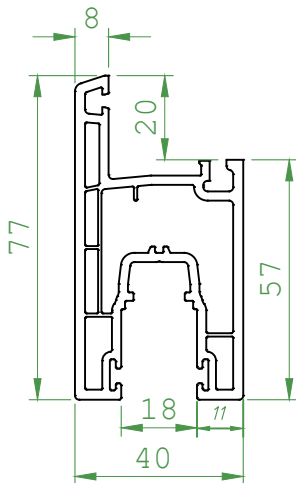
Sliding Frame Profile (Double Rail)



Profile Code	White / Without Rubber	○ 41340- 01000	Inside Lmainate	Outside Lmainate
	White / With Rubber	● *****	*****	*****
	Brown Laminate / Golden Oak	● *****	*****	*****
	Brown Laminate / Dark Oak	● *****	*****	*****
	Brown Laminate / Charcoal Brown	● *****	*****	*****
	Gray Laminate / Wintech Gray	● *****	*****	*****

○ Without Rubber ● With Rubber

Sliding Sash Profile

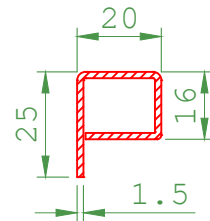
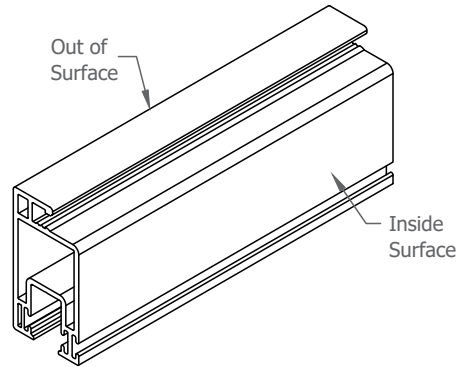
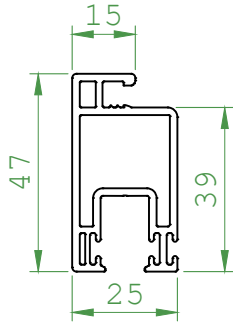


Profile Code	White / Without Rubber	○ 41340- 05000	Inside Lmainate	Outside Lmainate
	White / With Rubber	● *****	*****	*****
	Brown Laminate / Golden Oak	● *****	*****	*****
	Brown Laminate / Dark Oak	● *****	*****	*****
	Brown Laminate / Charcoal Brown	● *****	*****	*****
	Gray Laminate / Wintech Gray	● *****	*****	*****

○ Without Rubber ● With Rubber



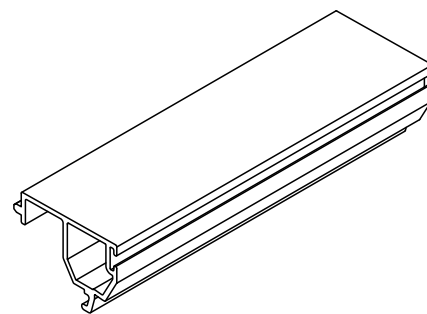
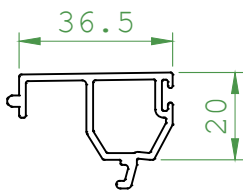
Sliding Fly Screen Sash Profile



Profile Code	White / Without Rubber	○ 41340- 05100	Inside Lmainate	Outside Lmainate
	White / With Rubber	● *****	*****	*****
	Brown Laminate / Golden Oak	● *****	*****	*****
	Brown Laminate / Dark Oak	● *****	*****	*****
	Brown Laminate / Charcoal Brown	● *****	*****	*****
	Gray Laminate / Wintech Gray	● *****	*****	*****

○ Without Rubber ● With Rubber

Frame Cover Profile (Single Rail)

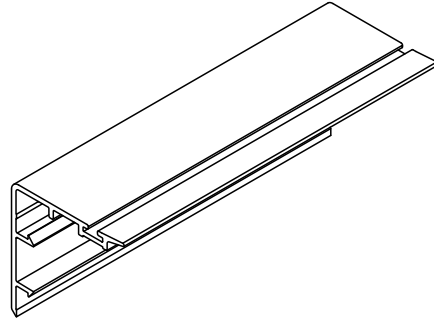
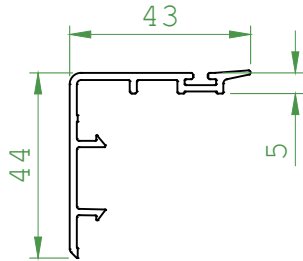


Profile Code	White / Without Rubber	○ 41340- 06000	Inside Lmainate	Outside Lmainate
	White / With Rubber	● *****	*****	*****
	Brown Laminate / Golden Oak	● *****	*****	*****
	Brown Laminate / Dark Oak	● *****	*****	*****
	Brown Laminate / Charcoal Brown	● *****	*****	*****
	Gray Laminate / Wintech Gray	● *****	*****	*****

○ Without Rubber ● With Rubber



Sash Cover Profile



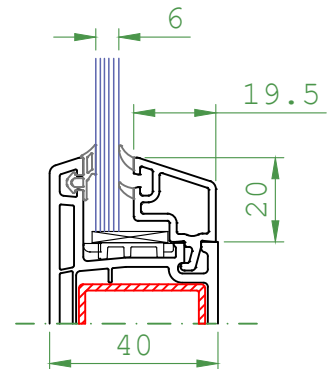
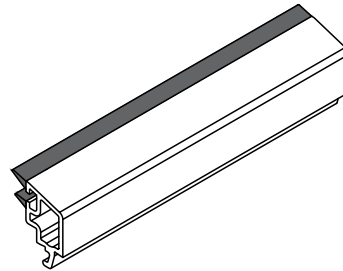
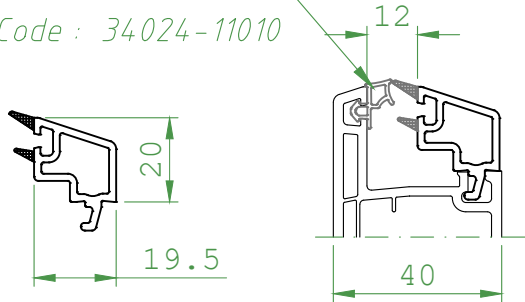
Profile Code	White / Without Rubber	○ 41340- 03000	Inside Lmainate	Outside Lmainate
	White / With Rubber	● *****	*****	*****
	Brown Laminate / Golden Oak	● *****	*****	*****
	Brown Laminate / Dark Oak	● *****	*****	*****
	Brown Laminate / Charcoal Brown	● *****	*****	*****
	Gray Laminate / Wintech Gray	● *****	*****	*****

○ Without Rubber ● With Rubber

Single Glazing Bead Profile (4-6 mm)

Rubber Gasket EPDM

Code : 34024-11010



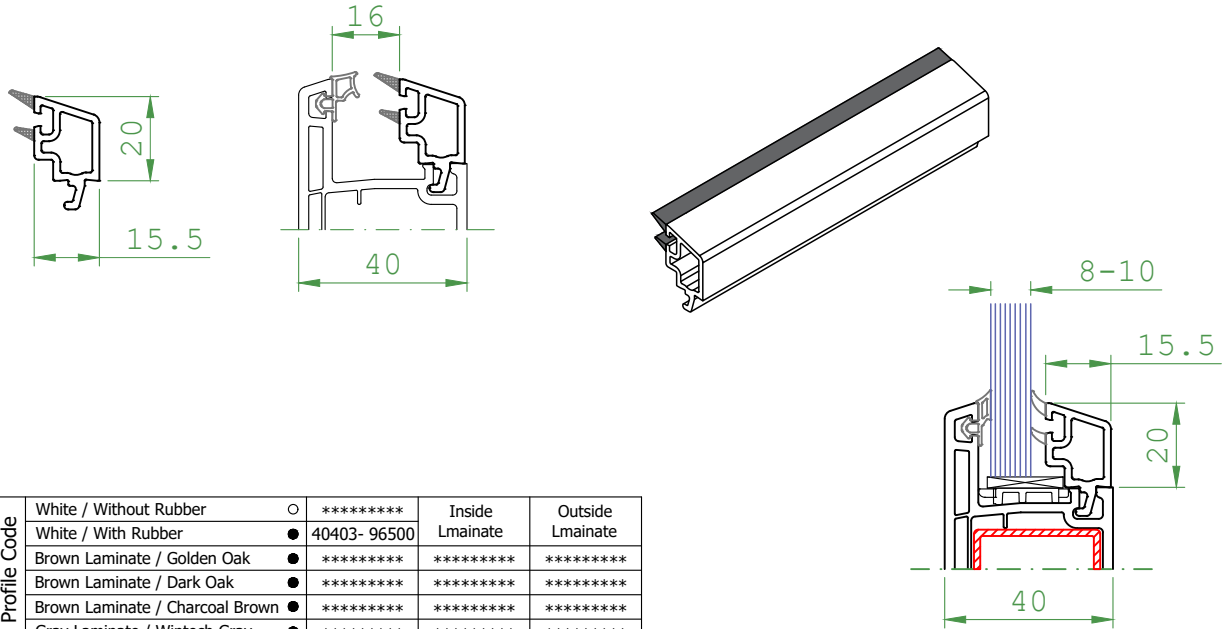
Profile Code	White / Without Rubber	○ *****	Inside Lmainate	Outside Lmainate
	White / With Rubber	● 40403- 96200	*****	*****
	Brown Laminate / Golden Oak	● *****	*****	*****
	Brown Laminate / Dark Oak	● *****	*****	*****
	Brown Laminate / Charcoal Brown	● *****	*****	*****
	Gray Laminate / Wintech Gray	● *****	*****	*****

○ Without Rubber ● With Rubber

Galvanized Reinforcing Profile

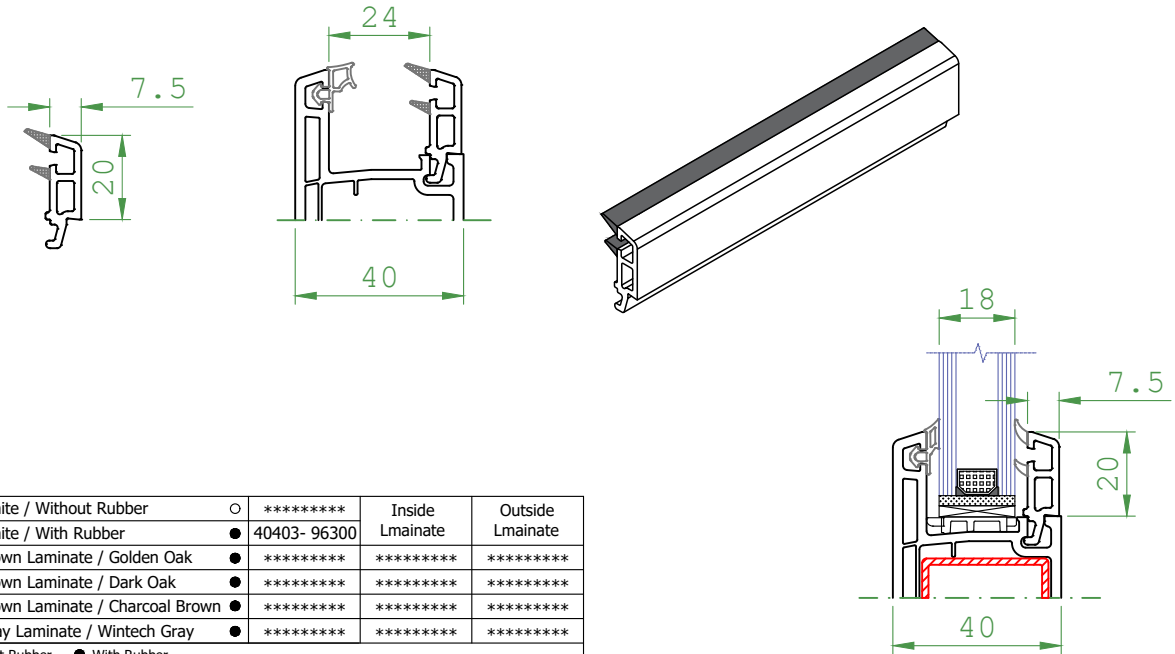


Single Glazing Bead Profile (10 mm)



Profile Code	White / Without Rubber	○	*****	Inside	Outside
	White / With Rubber	●	40403- 96500	Lmainate	Lmainate
	Brown Laminate / Golden Oak	●	*****	*****	*****
	Brown Laminate / Dark Oak	●	*****	*****	*****
	Brown Laminate / Charcoal Brown	●	*****	*****	*****
	Gray Laminate / Wintech Gray	●	*****	*****	*****
○ Without Rubber ● With Rubber					

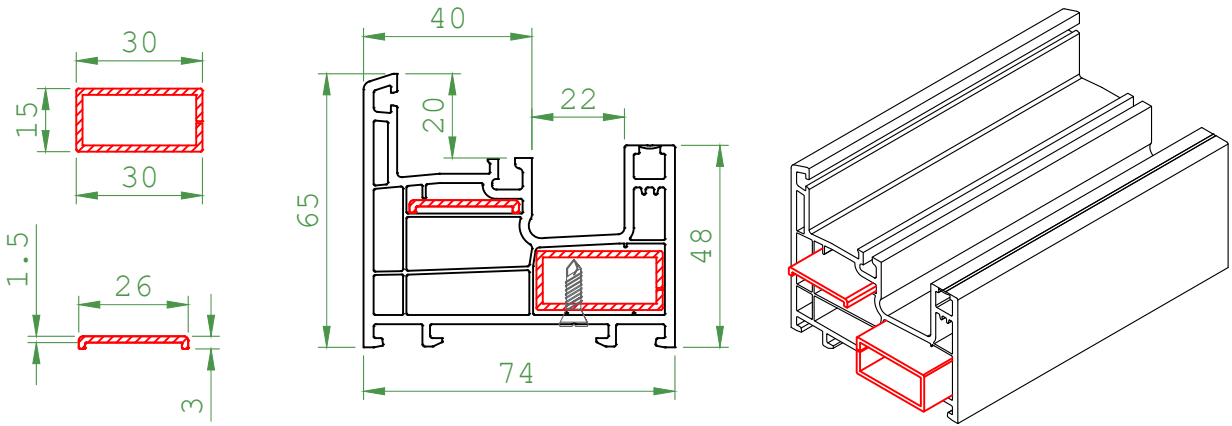
Double Glazing Bead Profile (18 mm)



Profile Code	White / Without Rubber	○	*****	Inside	Outside
	White / With Rubber	●	40403- 96300	Lmainate	Lmainate
	Brown Laminate / Golden Oak	●	*****	*****	*****
	Brown Laminate / Dark Oak	●	*****	*****	*****
	Brown Laminate / Charcoal Brown	●	*****	*****	*****
	Gray Laminate / Wintech Gray	●	*****	*****	*****
○ Without Rubber ● With Rubber					



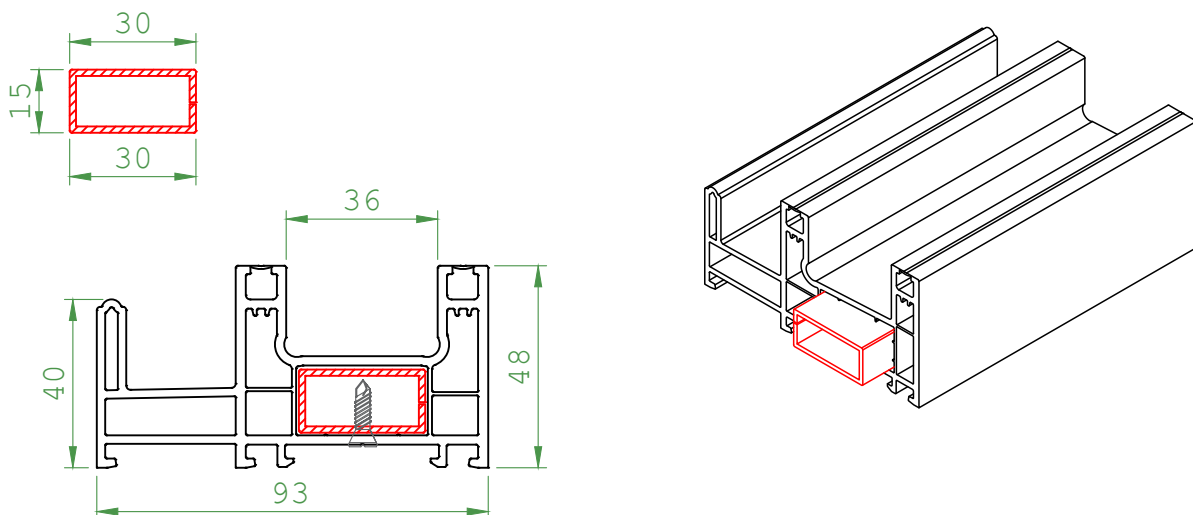
Galvanized Reinforcing Profile Systems



Thickness	I_x (cm) ⁴	I_y (cm) ⁴	Area	Weight
1.25 mm	0.38	1.15	103	808 gr /mt
1.5 mm	0.44	1.34	123	965 gr /mt
2 mm	0.54	1.70	161.1	1264 gr /mt

Reinforced profiles with a thickness of less than 1.25 mm are not approved.

Galvanized Reinforcing Profile Systems

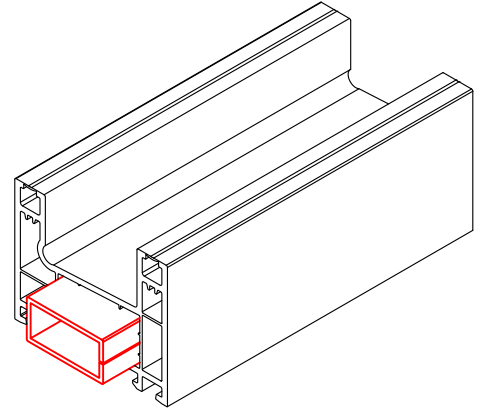
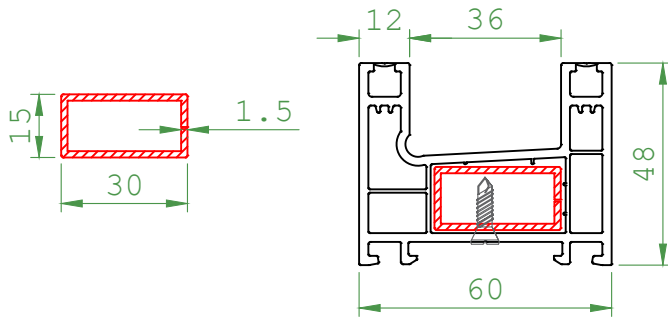


Thickness	I_x (cm) ⁴	I_y (cm) ⁴	Area	Weight
1.25 mm	0.38	1.15	103	808 gr /mt
1.5 mm	0.44	1.34	123	965 gr /mt
2 mm	0.54	1.70	161.1	1264 gr /mt

Reinforced profiles with a thickness of less than 1.25 mm are not approved.



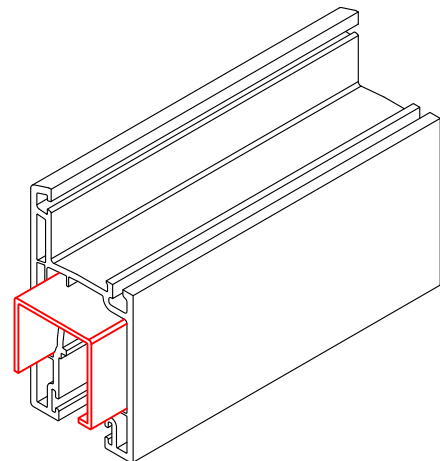
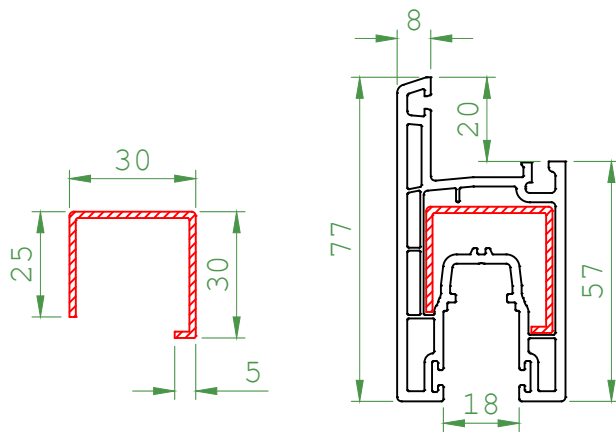
Galvanized Reinforcing Profile Systems



Thickness	I_x (cm) ⁴	I_y (cm) ⁴	Area	Weight
1.25 mm	0.38	1.15	103	808 gr /mt
1.5 mm	0.44	1.34	123	965 gr /mt
2 mm	0.54	1.70	161.1	1264 gr /mt

Reinforced profiles with a thickness of less than 1.25 mm are not approved.

Galvanized Reinforcing Profile Systems

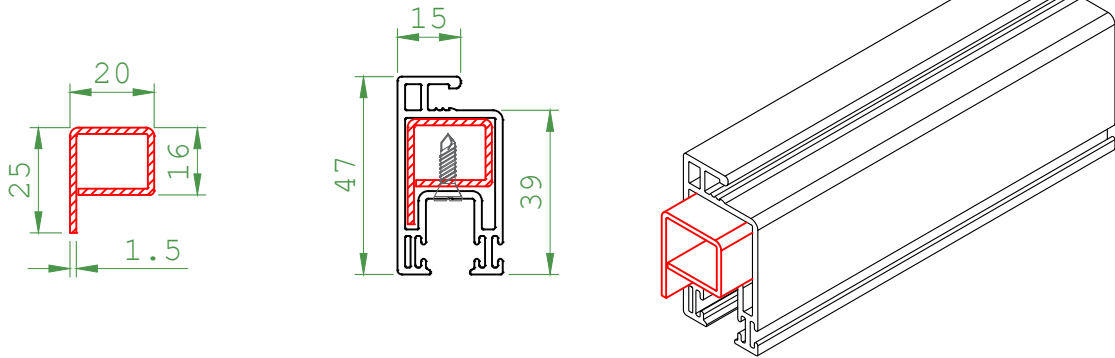


Thickness	I_x (cm) ⁴	I_y (cm) ⁴	Area	Weight
1.25 mm	0.91	1.71	105.5	828 gr /mt
1.5 mm	1.07	2.01	125.8	987 gr /mt
2 mm	1.37	2.56	165.4	1298 gr /mt

Reinforced profiles with a thickness of less than 1.25 mm are not approved.



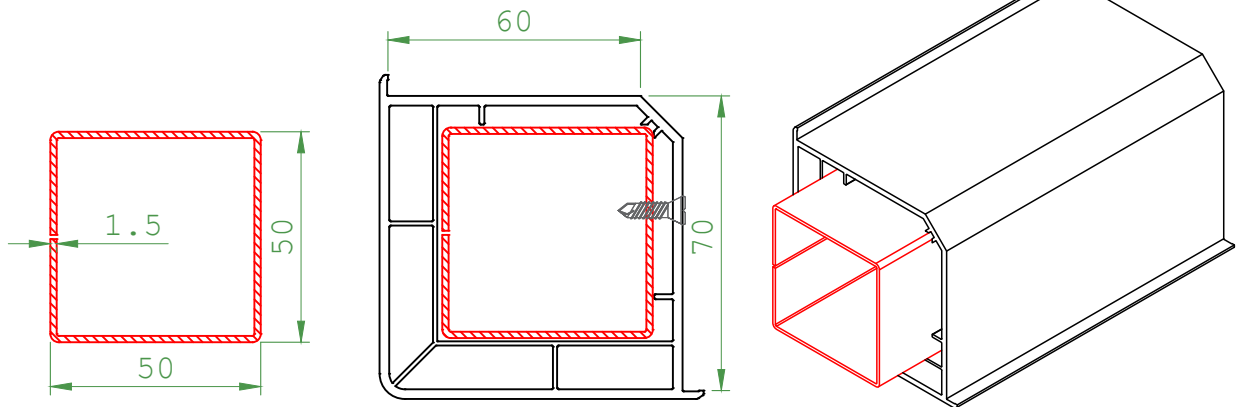
Galvanized Reinforcing Profile Systems



Thickness	$I_x \text{ (cm)}^4$	$I_y \text{ (cm)}^4$	Area	Weight
1.25 mm	0.37	0.61	92	722 gr /mt
1.5 mm	0.43	0.71	109.2	857 gr /mt
2 mm	0.54	0.9	142.5	1118 gr /mt

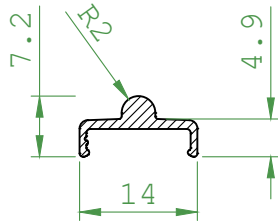
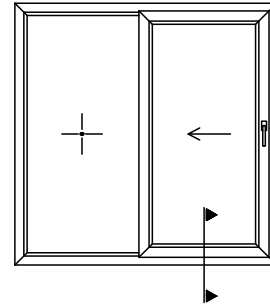
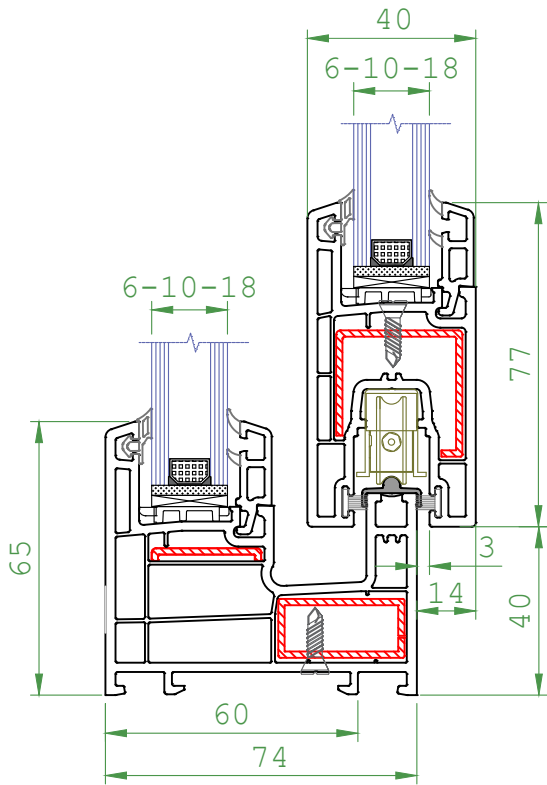
Reinforced profiles with a thickness of less than 1.25 mm are not approved.

Galvanized Reinforcing Profile Systems



Thickness	$I_x \text{ (cm)}^4$	$I_y \text{ (cm)}^4$	Area	Weight
1.25 mm	9.51	9.43	240	1884 gr /mt
1.5 mm	11.22	11.13	286.2	2246 gr /mt
2 mm	14.46	14.34	376	2951 gr /mt

Reinforced profiles with a thickness of less than 1.25 mm are not approved.



Scale= 2:1

